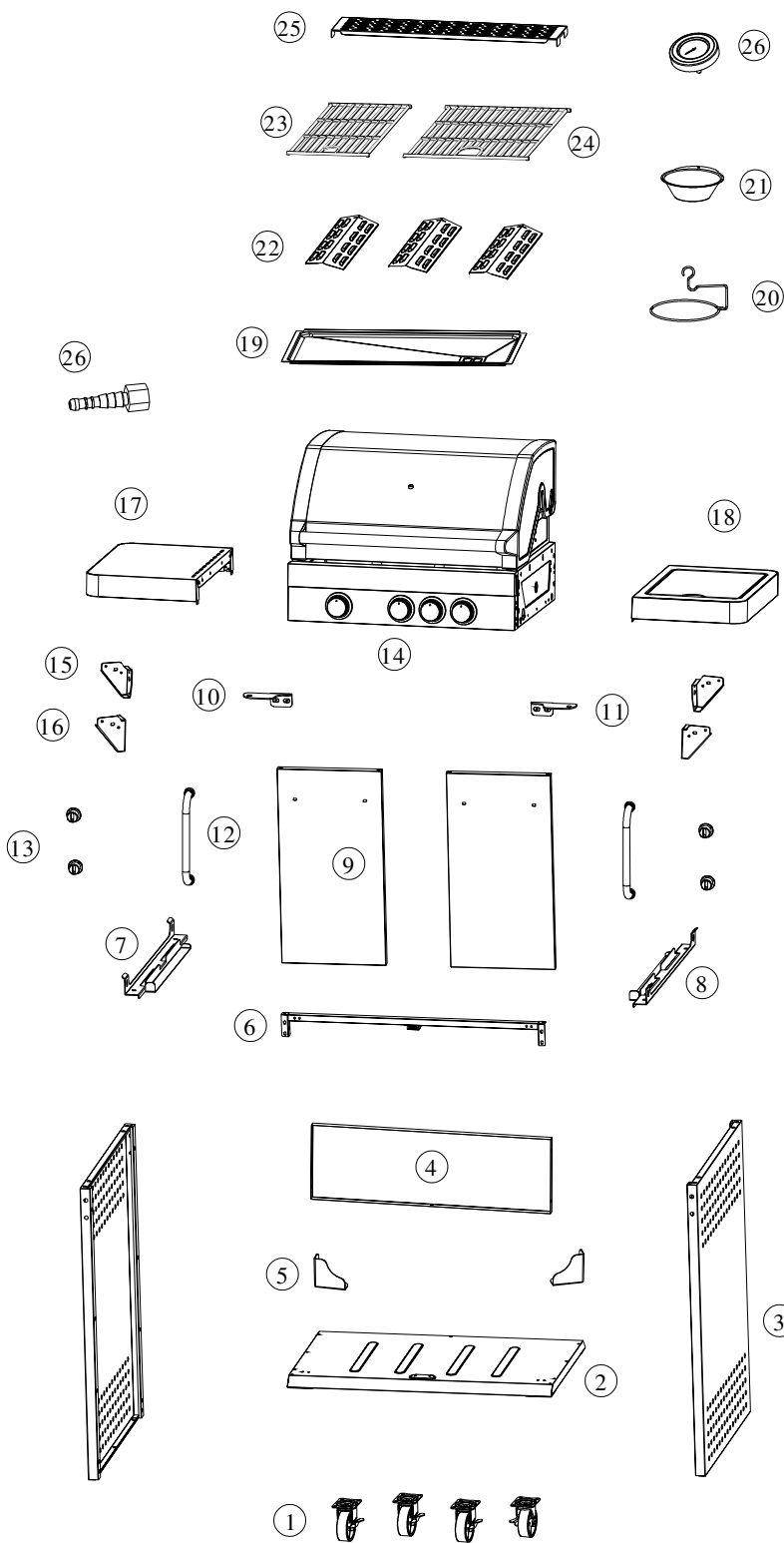
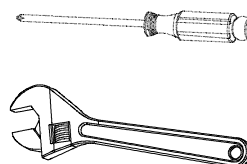
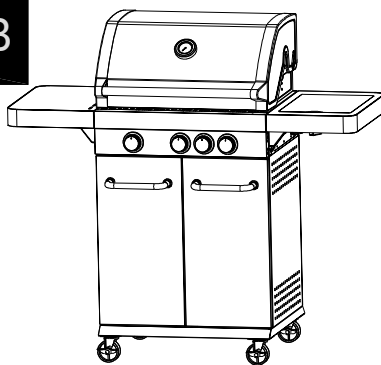
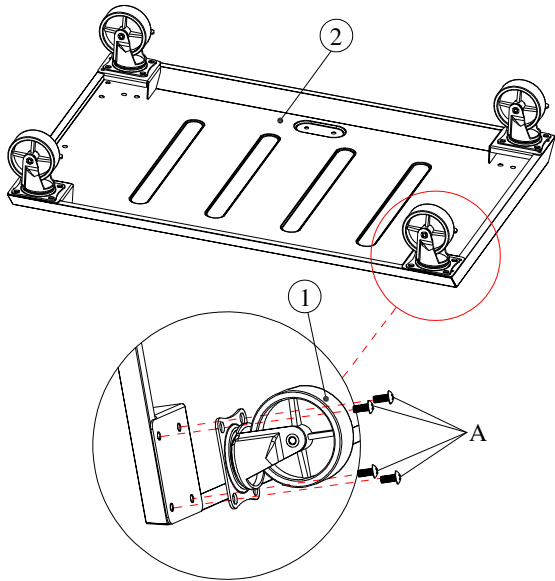


E33HJ10S16M13T13- SB

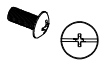


① *4 	② *1 	③ *2
④ *1 	⑤ *2 	⑥ *1
⑦ *1 (L) 	⑧ *1 (R) 	⑨ *2
⑩ *1 (L) 	⑪ *1 (R) 	⑫ *2
⑬ *4 	⑭ *1 	⑮ *2 (B)
⑯ *2 (F) 	⑰ *1 	⑱ *1
⑲ *1 	⑳ *1 	㉑ *1
㉒ *3 	㉓ *1 	㉔ *1
㉕ *1 	㉖ *1 	㉗ *1
AM5- 10*45 	B M6- 22*8 	C M4- 10*4
D M6- 12*10 	E *1 	F *4
Gφ 28- 2*1 	H M4- 8*2 	I M6- 15*4
J M6- 16*10 	K M6*8 	L *1

1

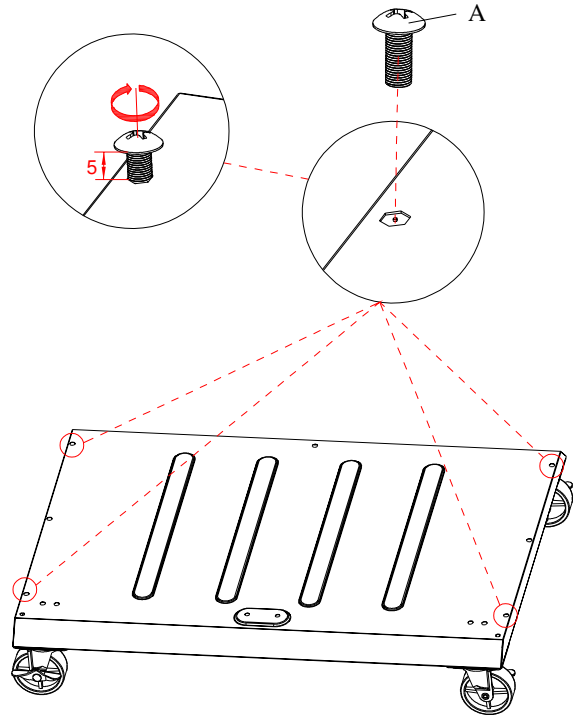


A

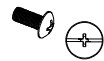


16PCS

2

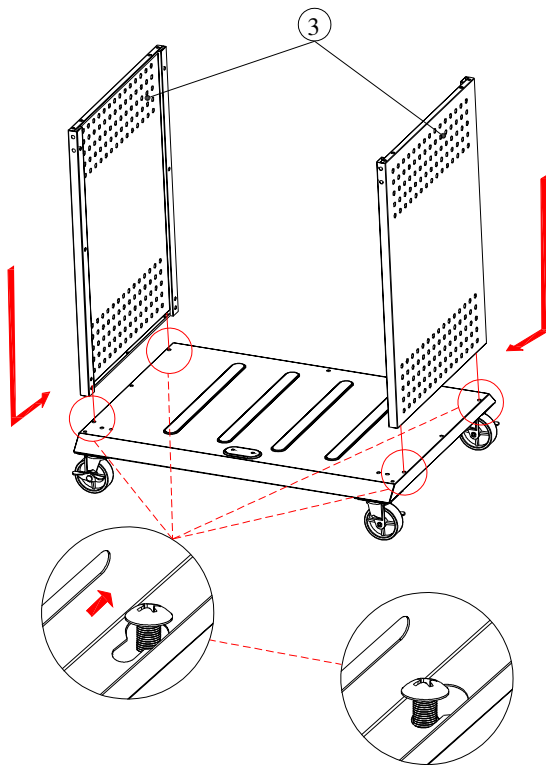


A

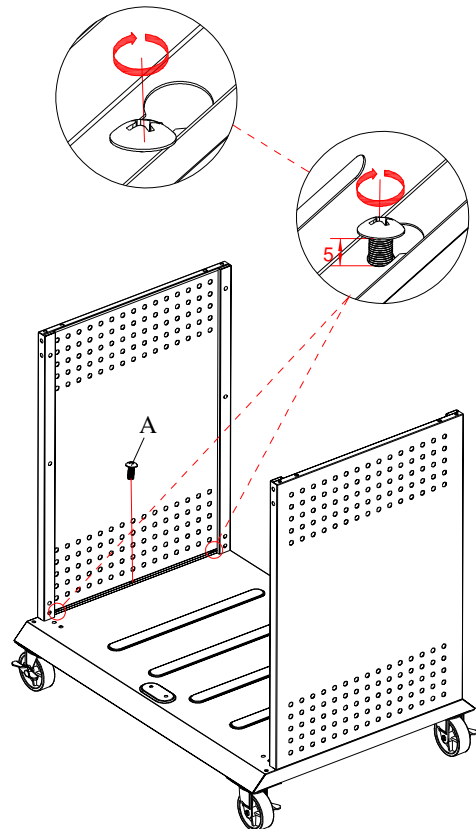


4PCS

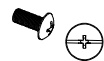
3



4

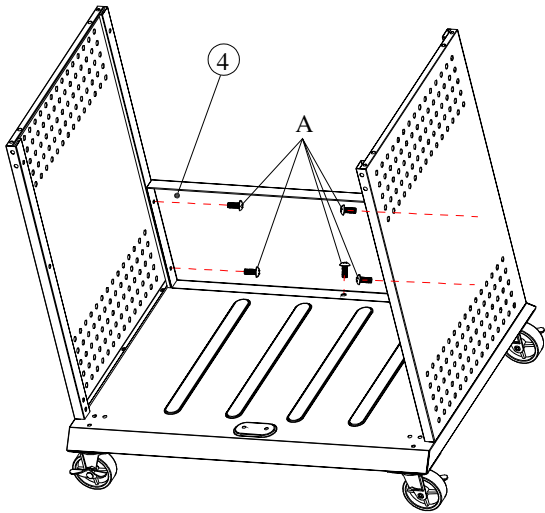


A

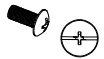


2PCS

5

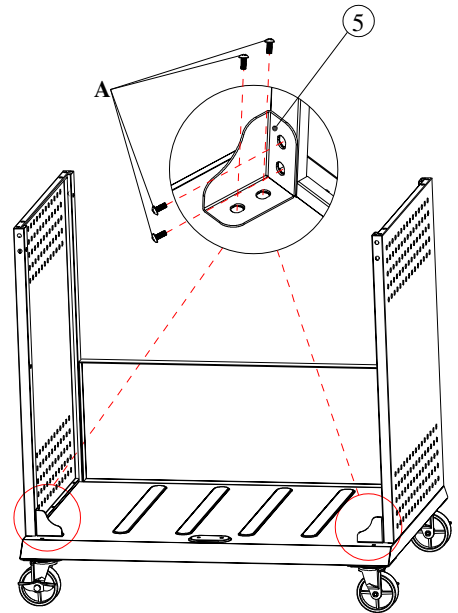


A



5PCS

6

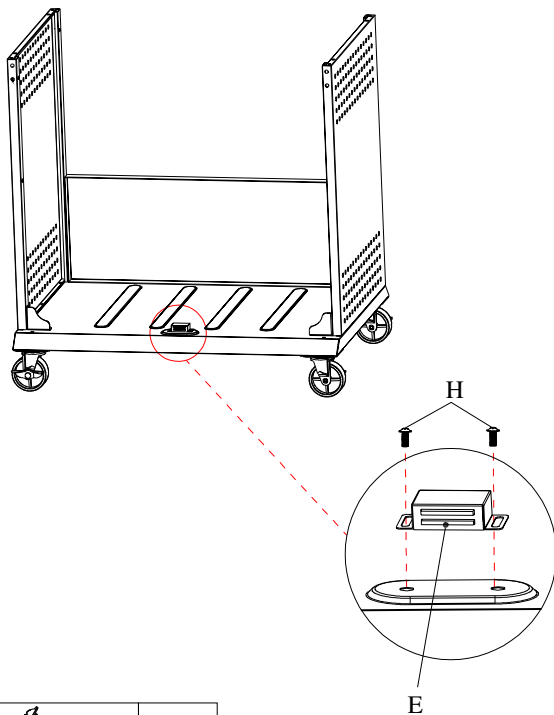


A



8PCS

7

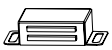


H



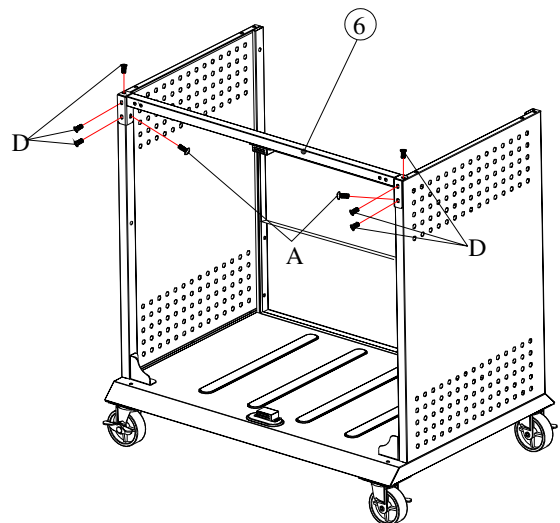
2PCS

E



1PC

8



A



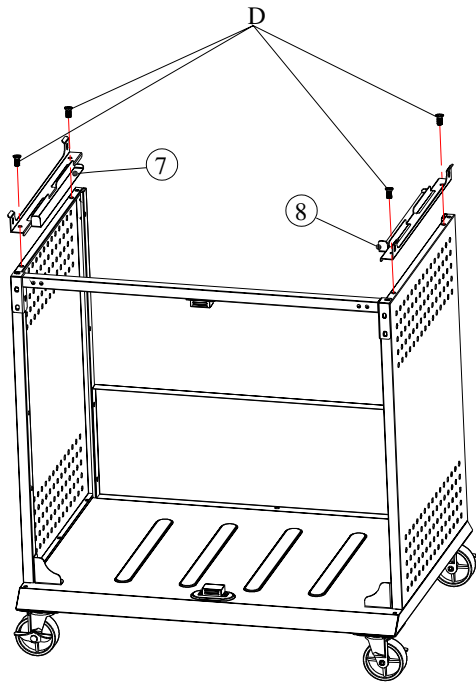
2PCS

D



6PCS

9

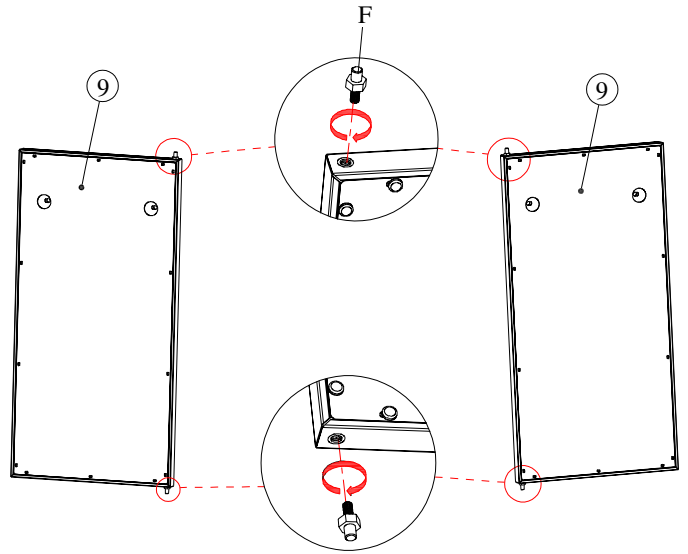


D



4PCS

10

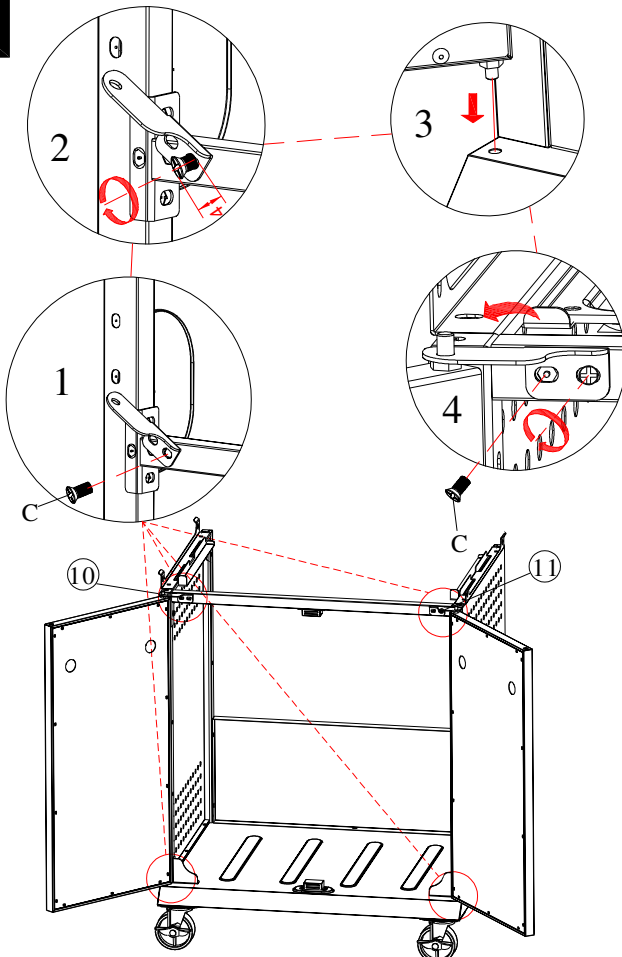


F



4PCS

11

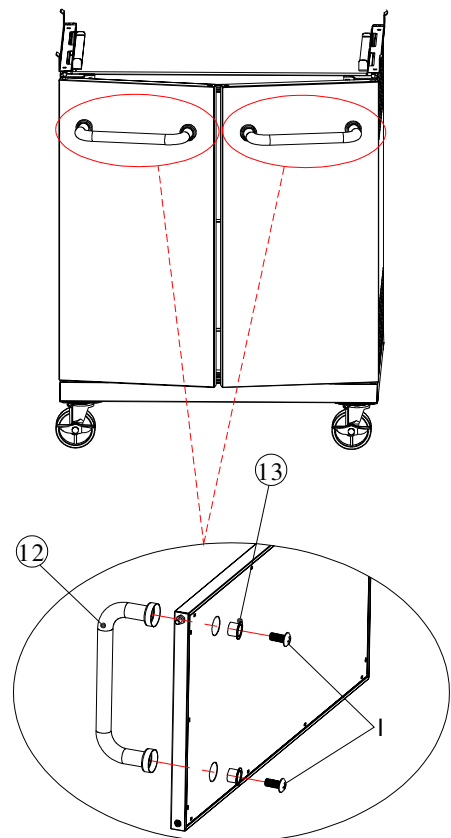


C



4PCS

12

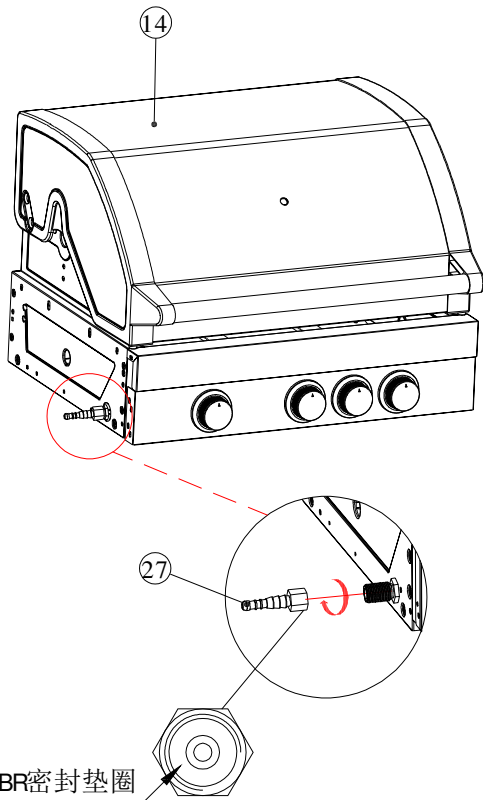


I

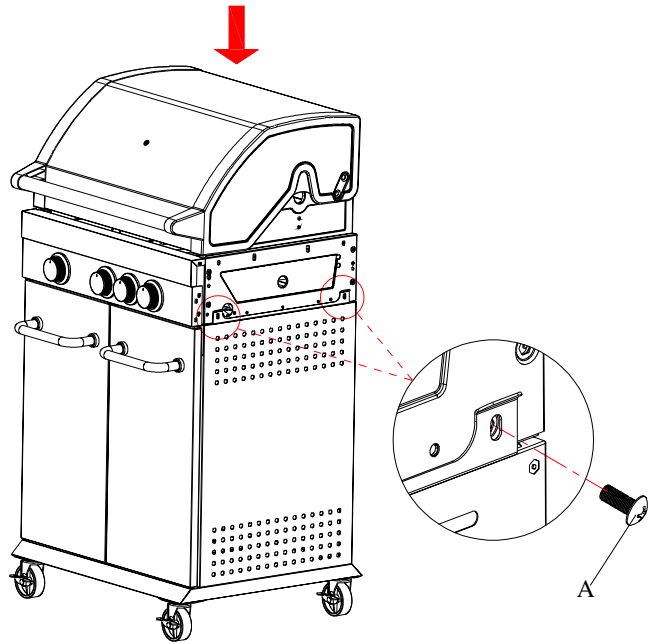


4PCS

13

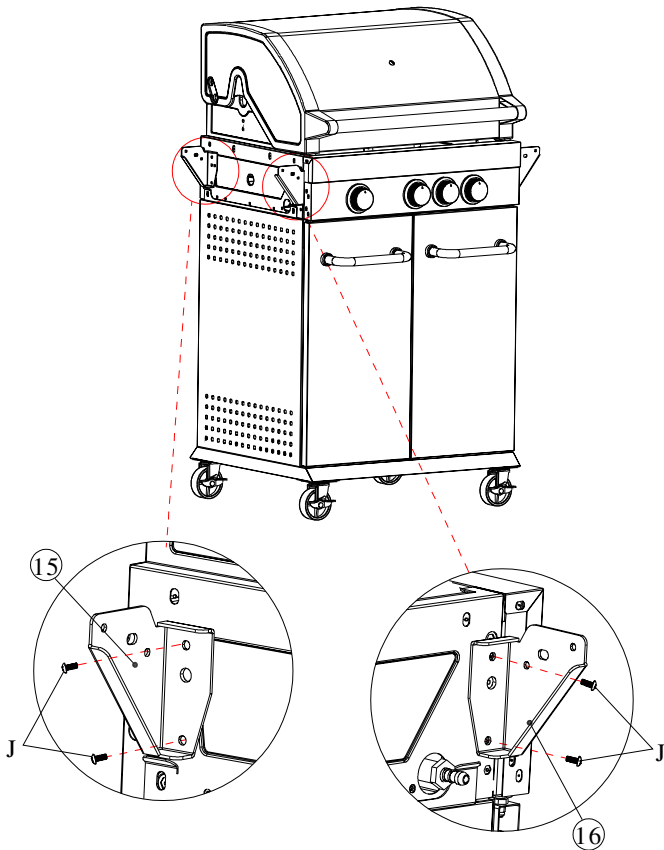


14



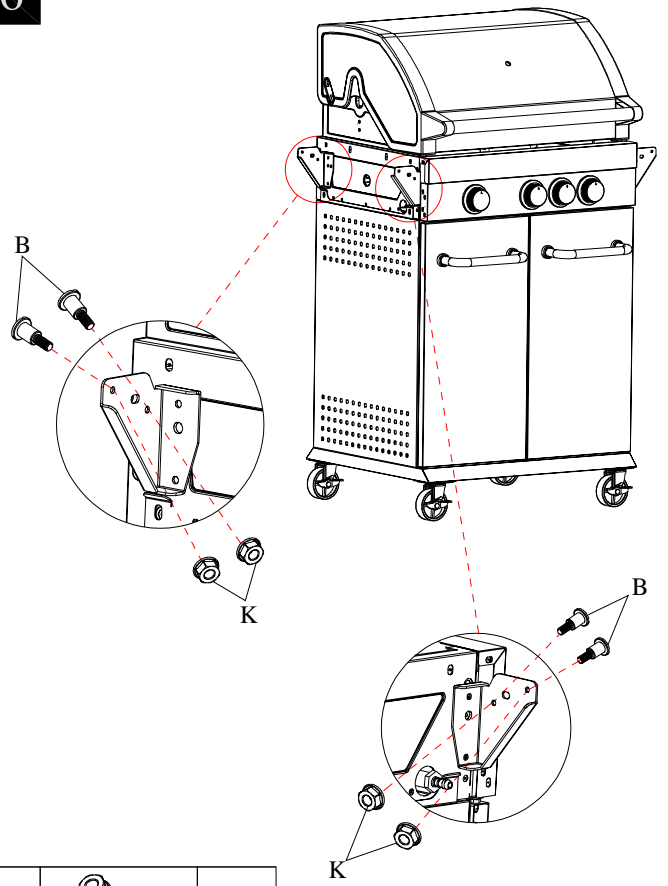
A		4PCS
---	--	------

15



J		8PCS
---	--	------

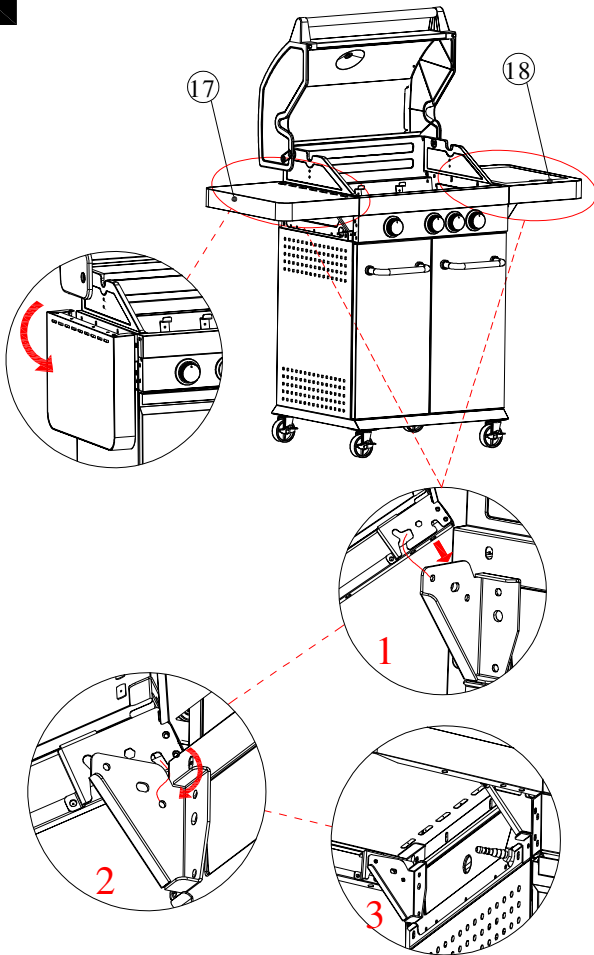
16



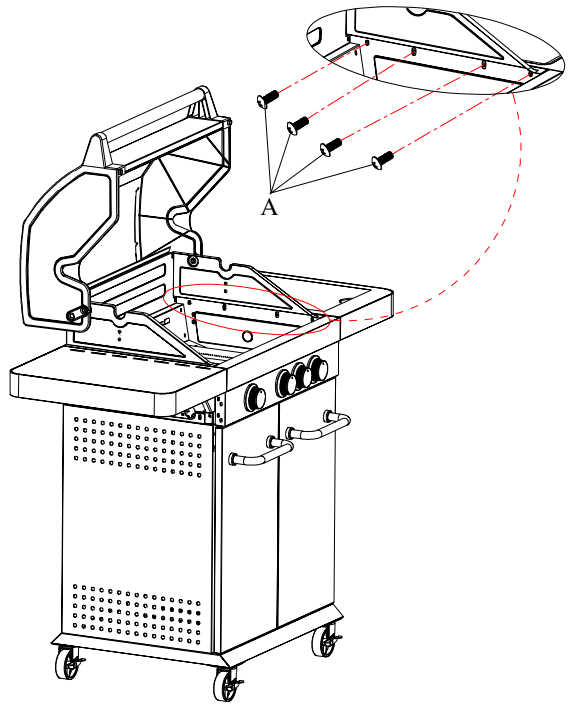
K		8PCS
---	--	------

B		8PCS
---	--	------

17

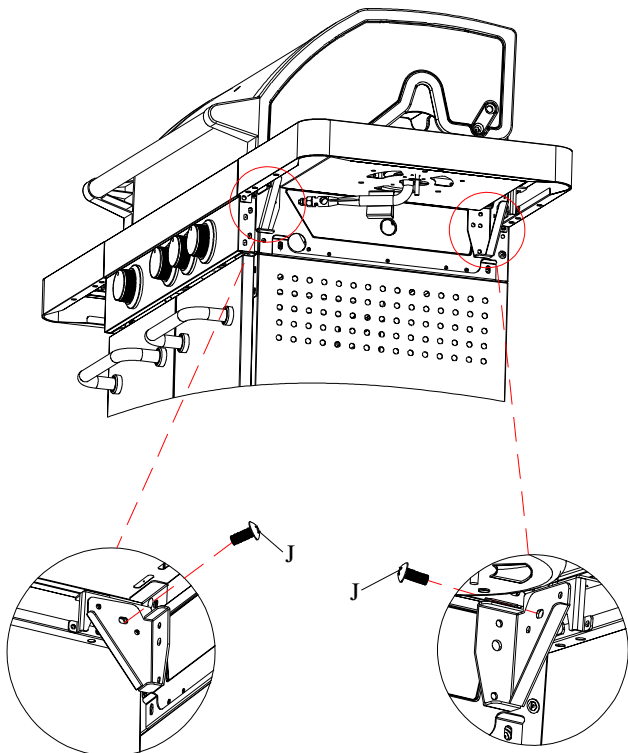


18

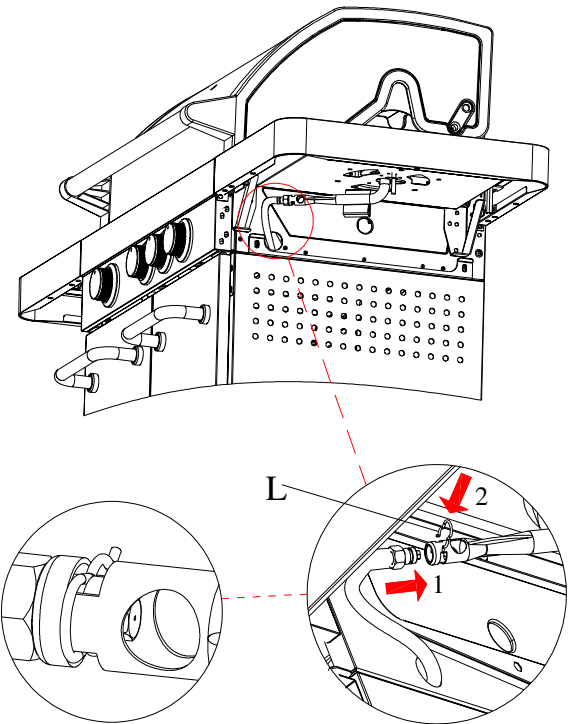



A		4PCS
---	--	------

19



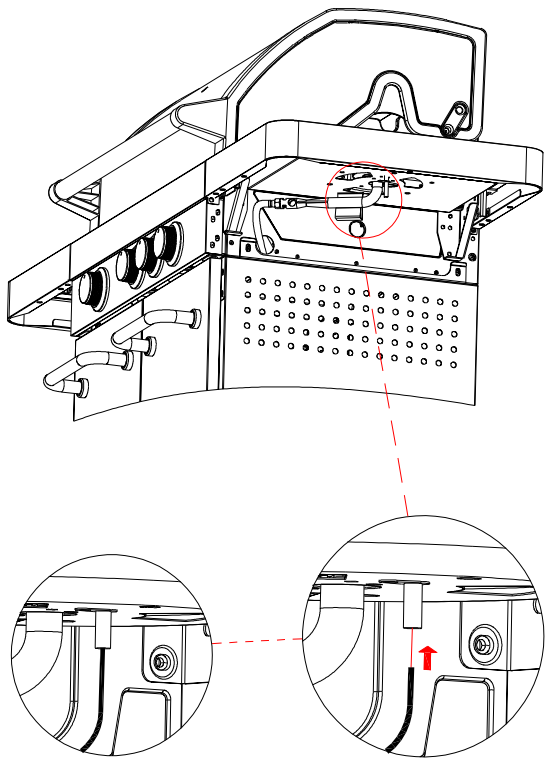
20



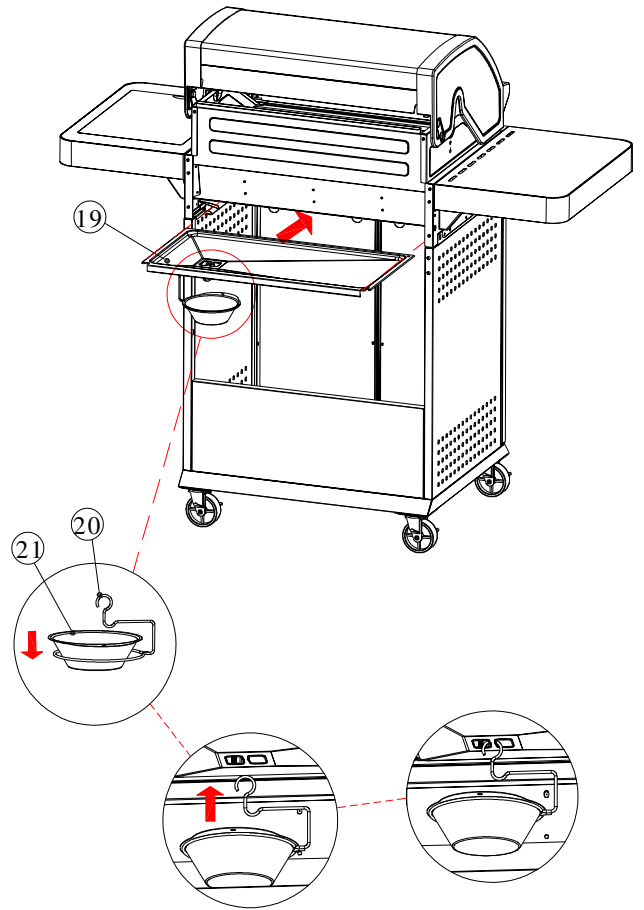
L		1PC
---	---	-----

J		2PCS
---	---	------

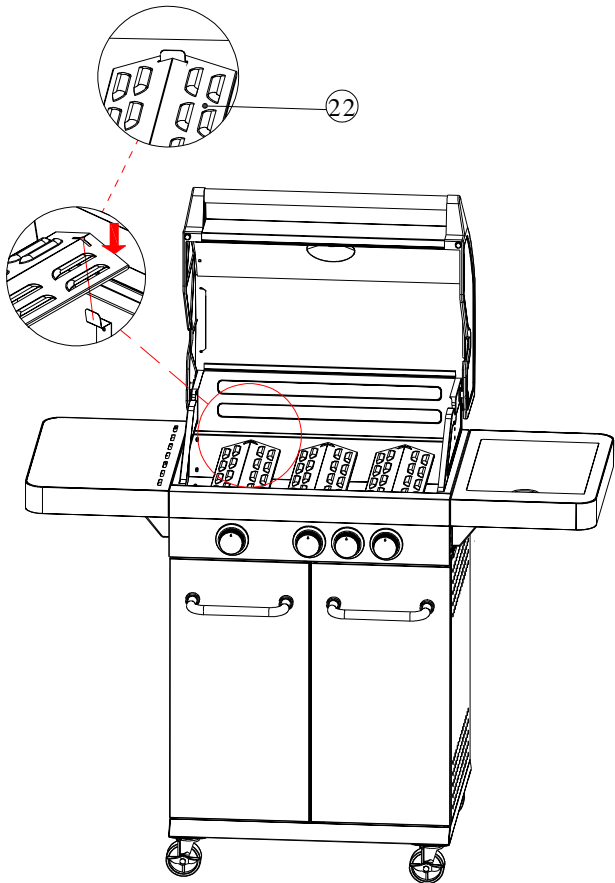
21



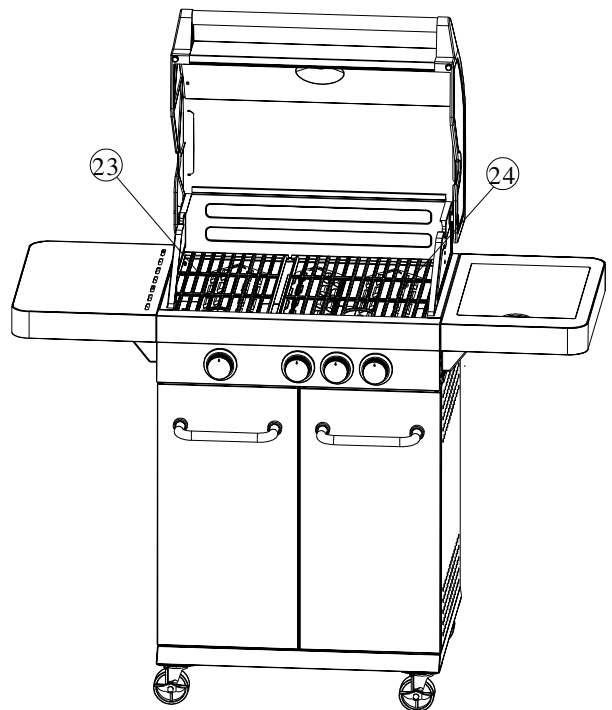
22



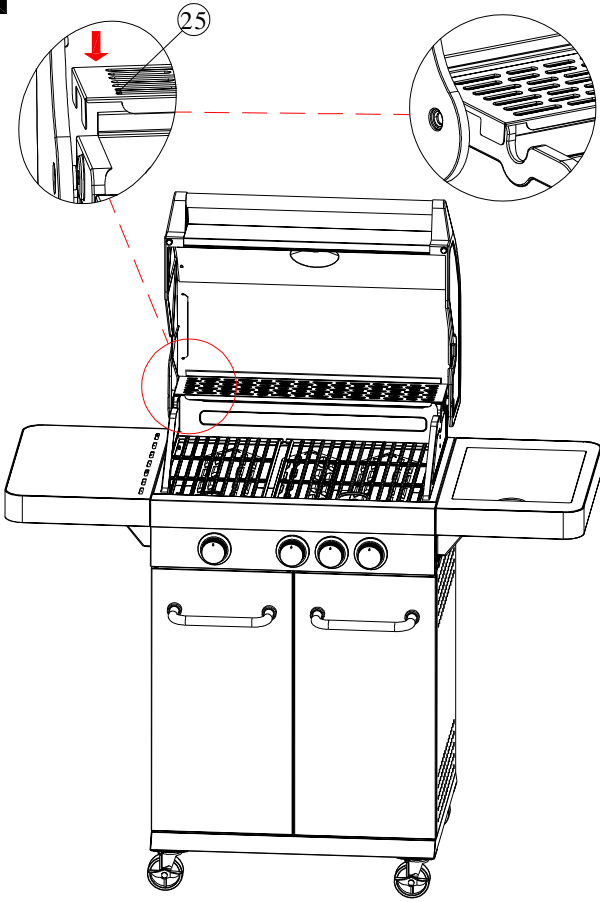
23



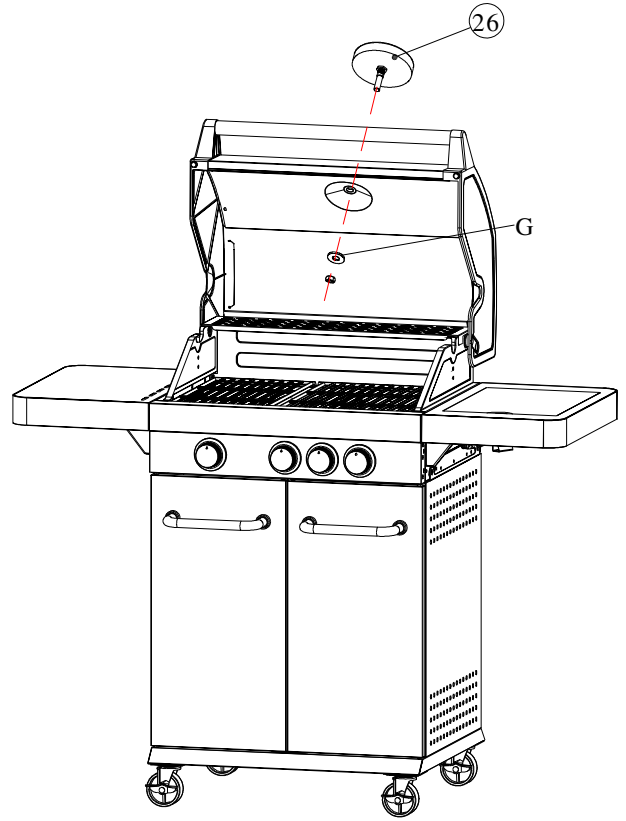
24



25



26



G



1PC

27

